

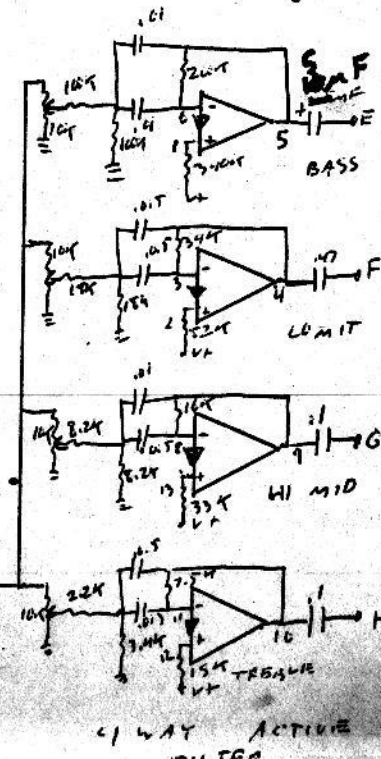
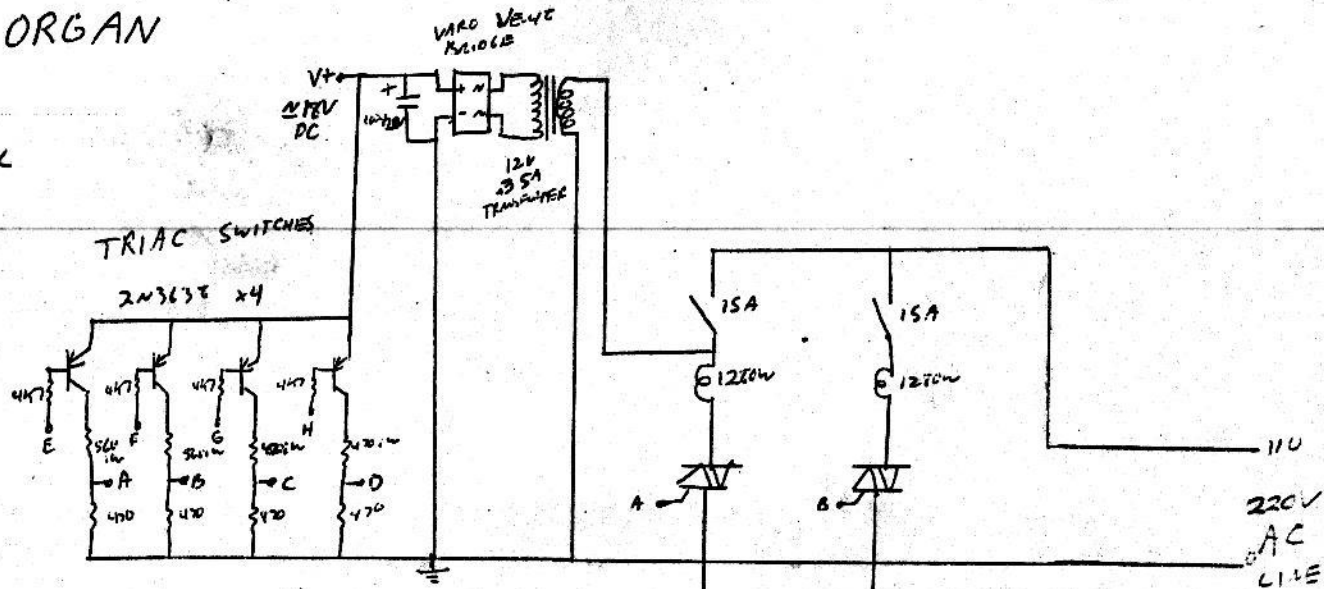
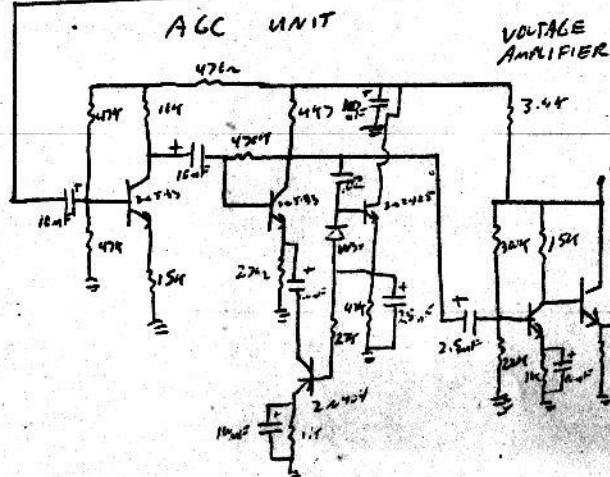
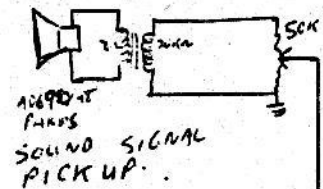
SHERATON-CARAVAN COLOR ORGAN

DEC 4, 1975 DANIEL FRASER

1280 WATTS LOAD PER CHANNEL

(2560 WATT PER CHANNEL IN THEORY)

11500W ON ALL 4 CHANNELS



TRIACS: SC60B2x2
GENERAL ELECTRIC

I.C. = LM3900
VCC = 14
CMM = 7

Original drawing
- E. Fraser

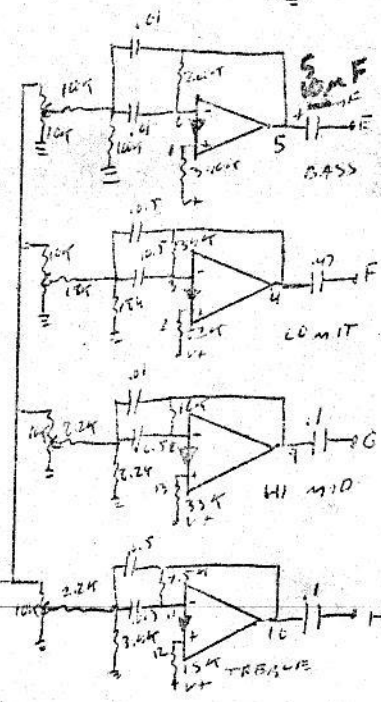
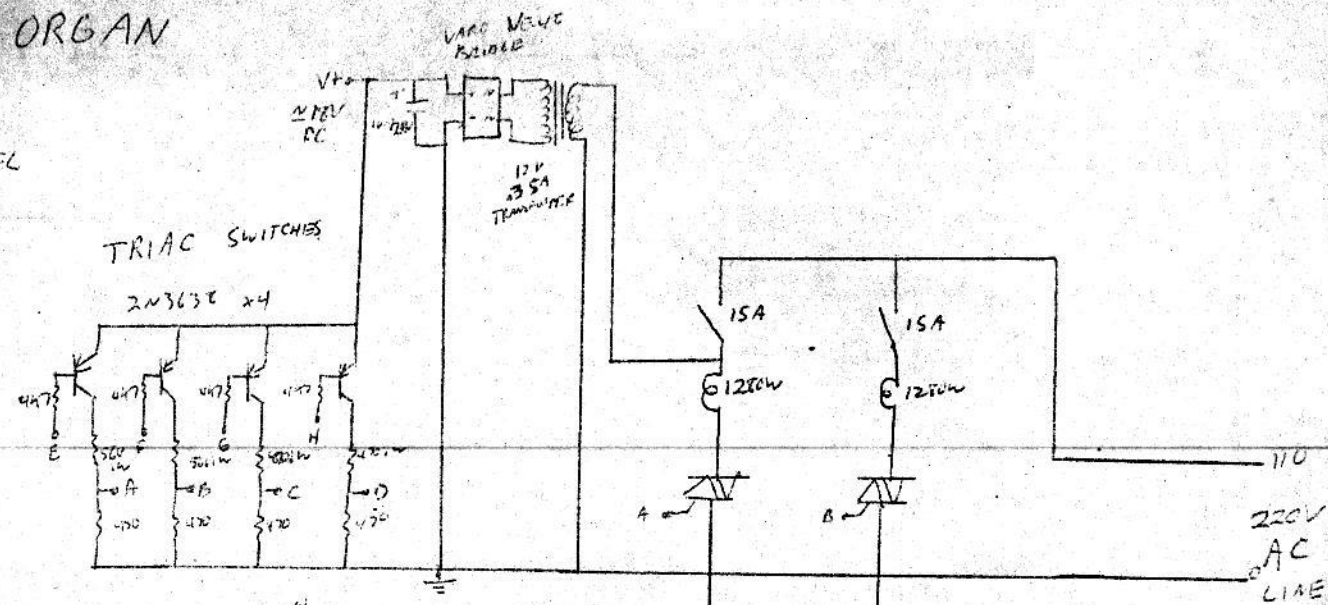
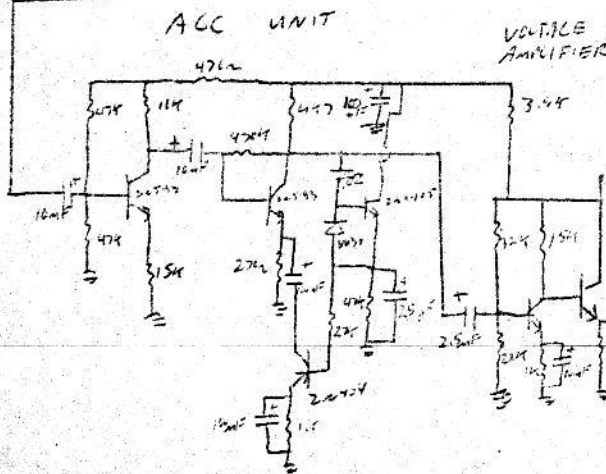
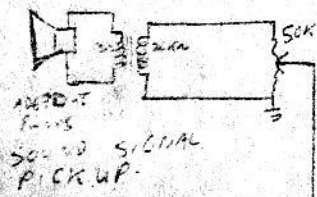
SHERATON CARAVAN COLOR ORGAN

DEC 4, 1975 DANIEL FRASER

1200 WATTS LOAD PER CHANNEL

(2500 WATT PER CHANNEL IN THEORY)
2875

11500W ON ALL 4 CHANNELS



I.C. = LM3900
VCC = 14
CIN = 7

TRIACS = SC60B2x2
GENERAL ELECTRIC

Original Design
- S. Fraser

STEREOPHONIC CARAVAN COLOR ORGAN

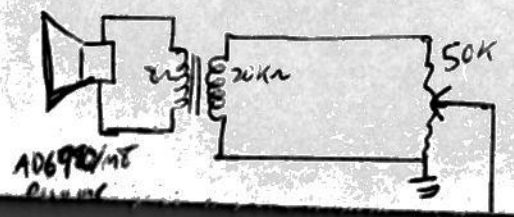
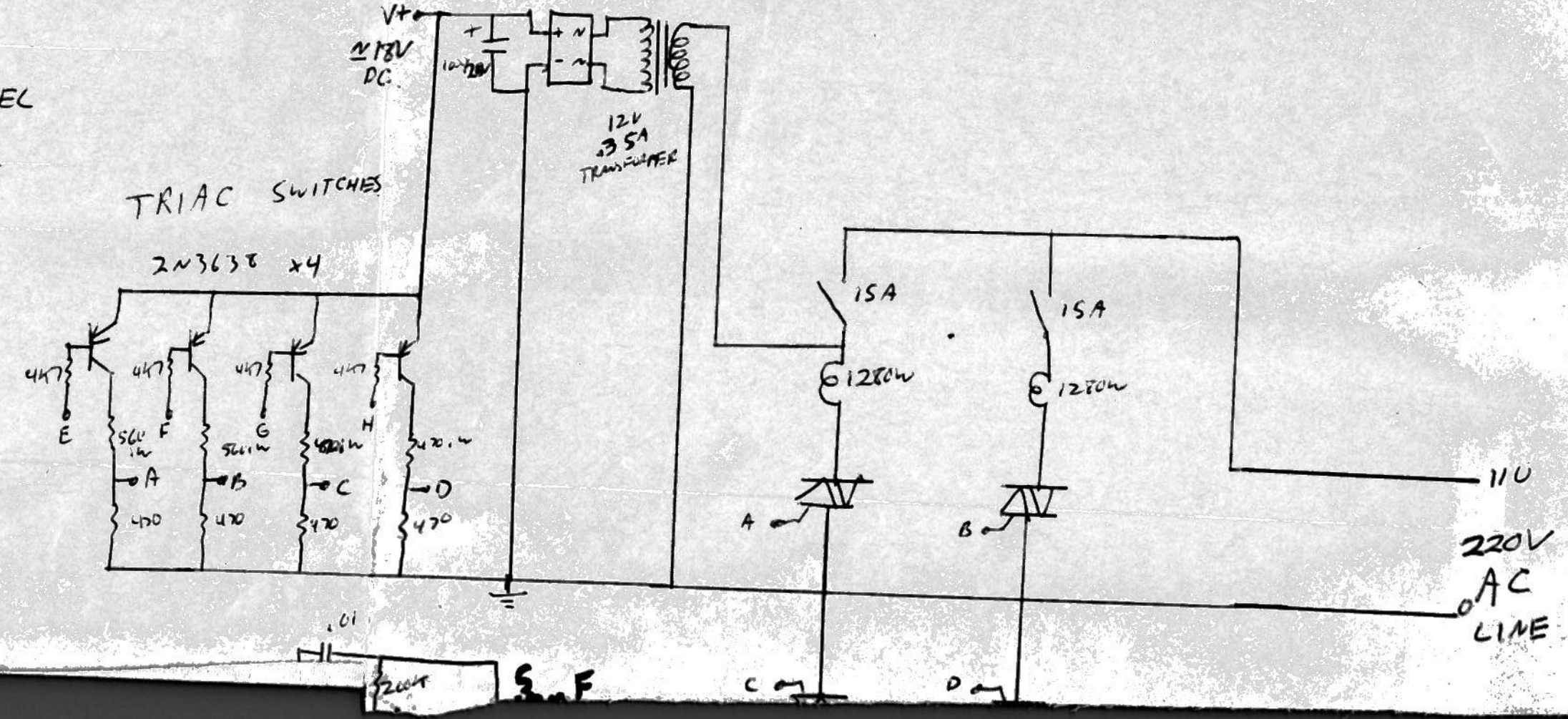
DEC 4, 1975 DANIEL FRASER

1280 WATTS LOAD PER CHANNEL
 (2500 WATT PER CHANNEL IN THEORY)
 2875

11500W ON ALL 4 CHANNELS

TRIAC SWITCHES

2N3638 x4



VARO VE48
 152106E

V+
 218V
 DC

12V
 3.5A
 TRANSFORMER

15A

15A

1280W

1280W

110

220V
 AC
 LINE

.01

200W

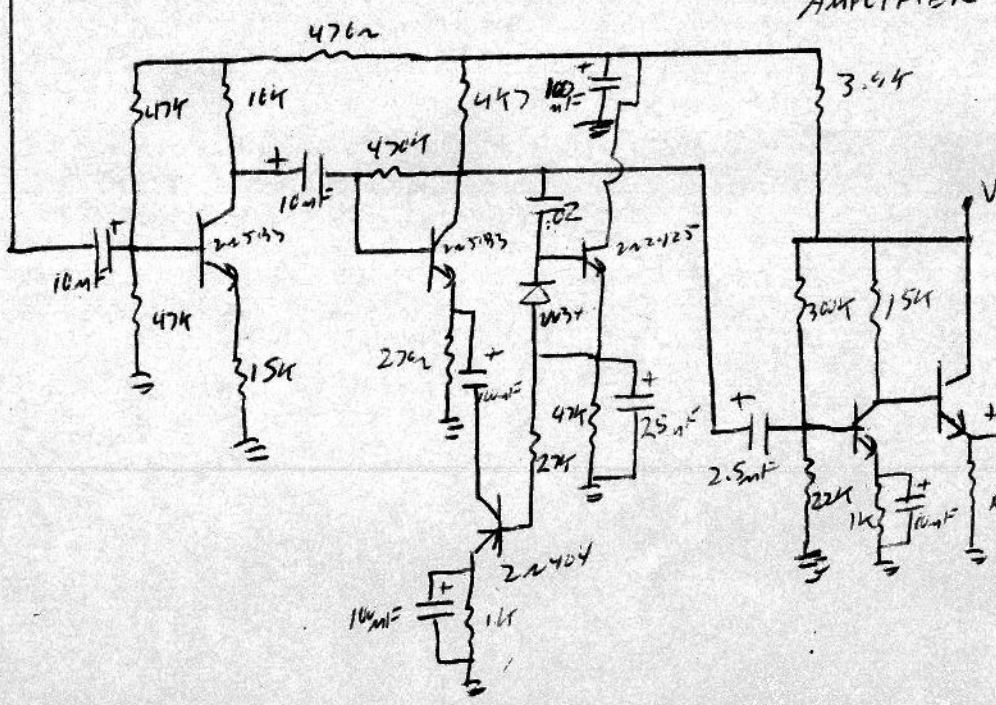
5.0F

C

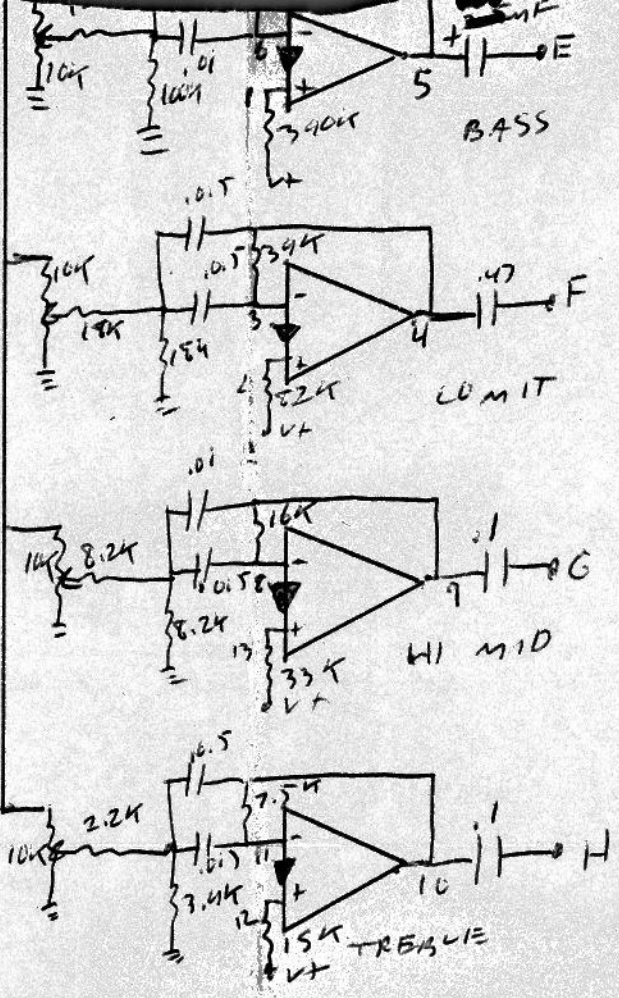
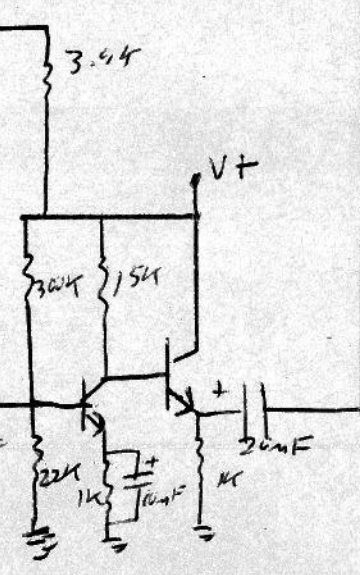
D

SOUND SIGNAL PICK UP.

ACC UNIT

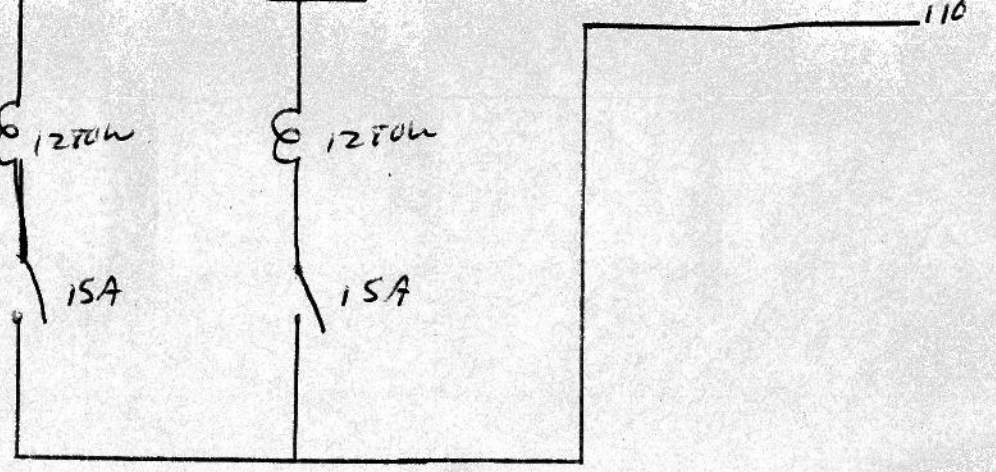


VOLTAGE AMPLIFIER



4 WAY ACTIVE FILTER

I.C. = LM3900
VCC = 14
GND = 7



TRIACS = SC60B2X2
GENERAL ELECTRIC

- Original Drawing
- D. Furse